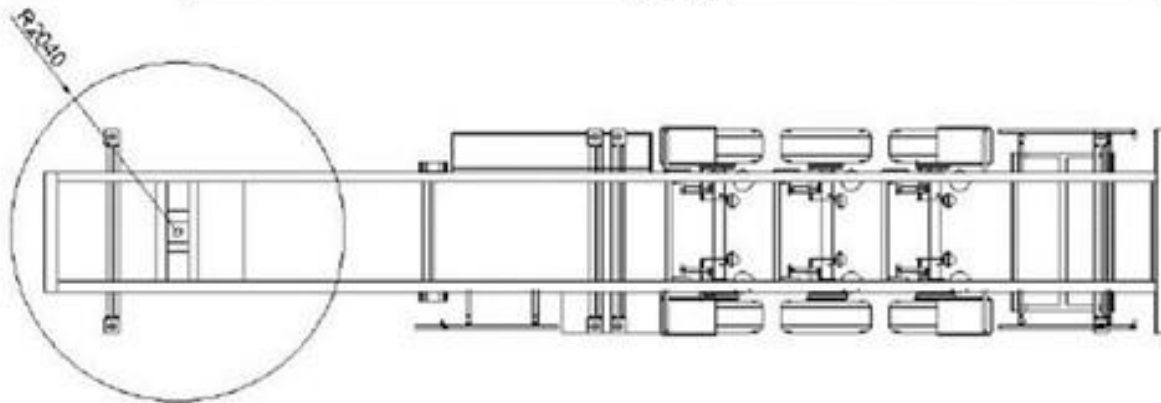
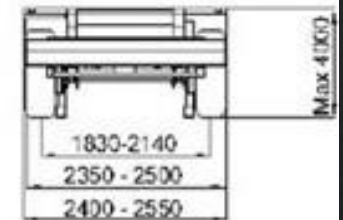
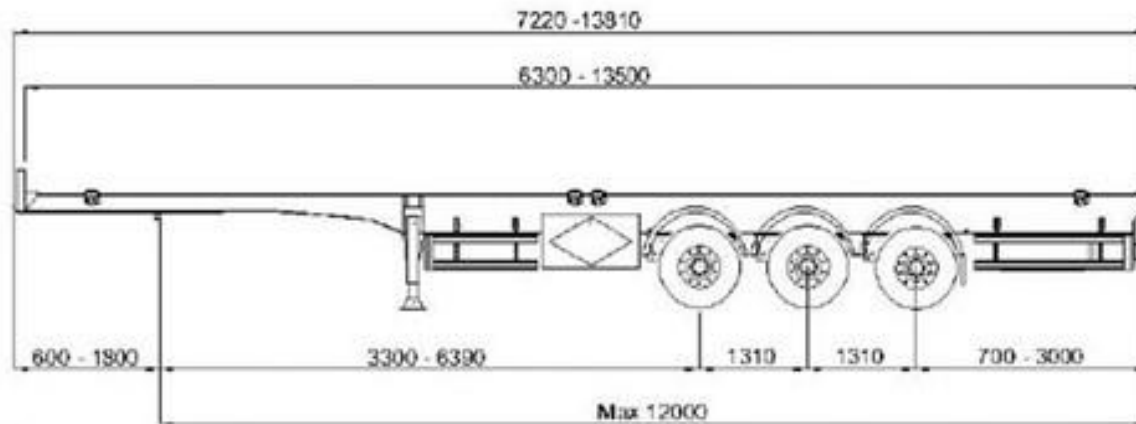


# PORTACONTEINER



**MAQUITRUCKS**  
ATLANTIC M&S



# Gooseneck Extendible Container Carrier Semi Trailer



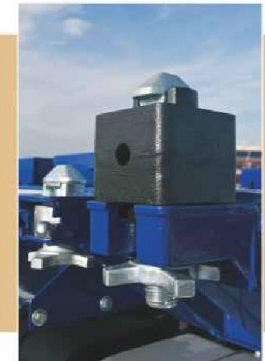
Front container twistlock and extending rear bumper for carrying 45 ft container



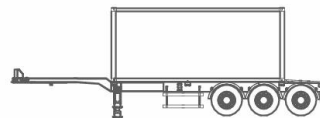
Folding container supports for to carry containers without tunnel



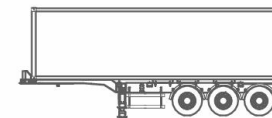
Twistlocks for containers



LIGHT 20 FT CONTAINER



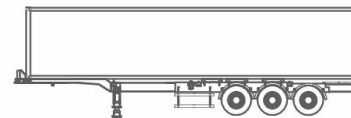
HEAVY 20 FT CONTAINER



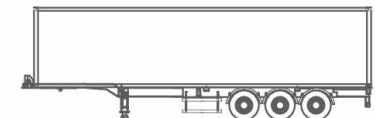
30 FT CONTAINER



2x20 FT CONTAINER



40 FT BOX CONTAINER



40 FT HC CONTAINER


**Maquitrucks Atlantic M&S S.L**

Avd. De Madrid nº40 , Entresuelo , Oficina 21 – 36204 –Vigo – Pontevedra - Spain

[www.maquitrucks.com](http://www.maquitrucks.com) – [comercial@maquitrucks.com](mailto:comercial@maquitrucks.com)

Telefono oficina : +34 986 150 995 – whatsapp: +34 650 560 400





**40 ft Container Carrier  
Semi Trailer**

**Maquitrucks Atlantic M&S S.L**

Avd. De Madrid nº40 , Entresuelo , Oficina 21 – 36204 –Vigo – Pontevedra - Spain  
[www.maquitrucks.com](http://www.maquitrucks.com) – [comercial@maquitrucks.com](mailto:comercial@maquitrucks.com)

Telefono oficina : +34 986 150 995 – whatsapp: +34 650 560 400



# Gooseneck Extendible Container Carrier

## Semi Trailer



Light and strong chassis design

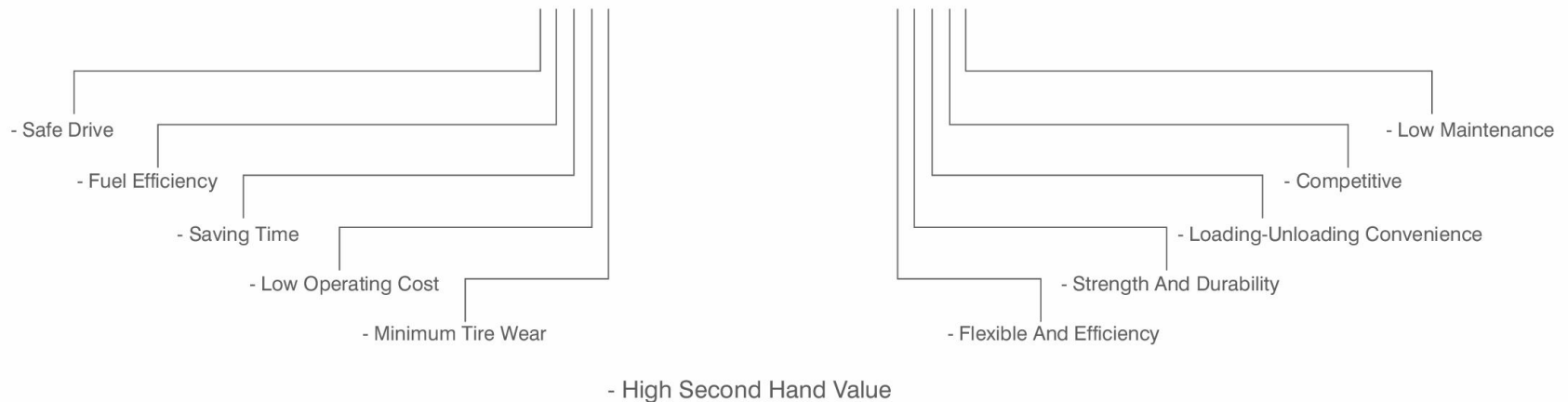


Adjustable rear ramp for easy unloading 20 ft



Generator for Reefer containers (optional)

### Optimum load distribution for 20ft - 30ft - 40ft Container Transportation




**Maquitrucks Atlantic M&S S.L**

Avd. De Madrid n°40 , Entresuelo , Oficina 21 – 36204 –Vigo – Pontevedra - Spain

[www.maquitrucks.com](http://www.maquitrucks.com) – [comercial@maquitrucks.com](mailto:comercial@maquitrucks.com)

Telefono oficina : +34 986 150 995 – whatsapp: +34 650 560 400



**20 ft Tank Container Carrier**  
Semi Trailer

**Maquitrucks Atlantic M&S S.L**  
Avd. De Madrid nº40 , Entresuelo , Oficina 21 – 36204 –Vigo – Pontevedra - Spain  
[www.maquitrucks.com](http://www.maquitrucks.com) – [comercial@maquitrucks.com](mailto:comercial@maquitrucks.com)  
Telefono oficina : +34 986 150 995 – whatsapp: +34 650 560 400





# 40/45 Ft Gooseneck Container Carrier

Semi Trailer

Front container twistlock and extending rear bumper for carrying 45 ft container



Twistlocks for containers



Folding container supports for to carry containers without tunnel

- Optional:
- Generator for Reefer containers
  - Steering axle

**40/45 Ft Gooseneck Container Carrier**  
Semi Trailer



**Maquitrucks Atlantic M&S S.L**  
Avd. De Madrid nº40 , Entresuelo , Oficina 21 – 36204 –Vigo – Pontevedra - Spain  
[www.maquitrucks.com](http://www.maquitrucks.com) – [comercial@maquitrucks.com](mailto:comercial@maquitrucks.com)  
Telefono oficina : +34 986 150 995 – whatsapp: +34 650 560 400

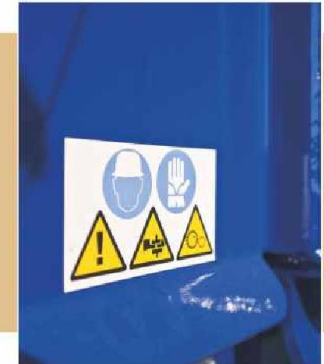
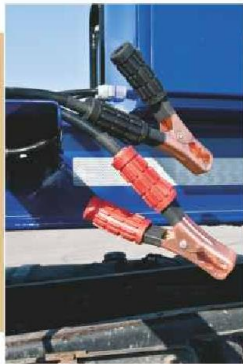


# 20 Ft Tipping Container Carrier

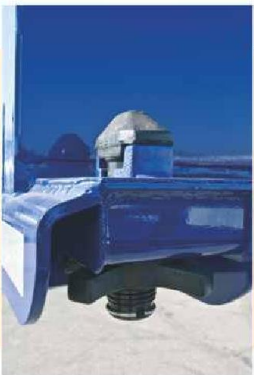
## Semi Trailer



By the rear connection, 24 V DC controller to power the features of semi trailer



Warnings and precaution for work safety



Twistlocks for tipping container carriers



**20 Ft Tipping Container Carrier**  
Semi Trailer



**Maquitrucks Atlantic M&S S.L**

Avd. De Madrid nº40 , Entresuelo , Oficina 21 – 36204 –Vigo – Pontevedra - Spain

[www.maquitrucks.com](http://www.maquitrucks.com) – [comercial@maquitrucks.com](mailto:comercial@maquitrucks.com)

Telefono oficina : +34 986 150 995 – whatsapp: +34 650 560 400

# 20 ft Rotary Valve Tipping Container Carrier

## Semi Trailer



Electric control panel stored in stainless steel box to avoid impacts



Low decibel blower to generate air pressure to pump granules to the silos powered by an electrical engine (optional diesel engine)



Rear hydraulic support legs to provide secure operation on different ground conditions



For ergonomic usage partial rear underrun protection device which is extended by hydraulic cylinder



Easy granule transfer by using air hose between the blower located in front of the vehicle and rotary valve



**20 Ft Tipping Container Carrier**  
Semi Trailer



**Maquitrucks Atlantic M&S S.L**  
Avd. De Madrid nº40 , Entresuelo , Oficina 21 – 36204 –Vigo – Pontevedra - Spain  
[www.maquitrucks.com](http://www.maquitrucks.com) – [comercial@maquitrucks.com](mailto:comercial@maquitrucks.com)  
Telefono oficina : +34 986 150 995 – whatsapp: +34 650 560 400

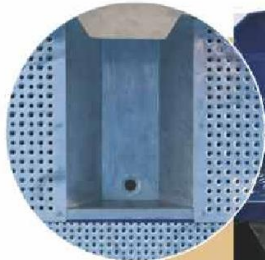
# 20 ft Tank Container Carrier Semi Trailer



Light and strong chassis made of high strength steel for more payload



Multiple hose storage



Stainless steel drainage, pool, aluminium walkway and valve for chemicals to avoid pollution



Air and electrical circuit protection according to ADR



Ergonomic ladder design in rear of semi-trailer



**Gooseneck Extendible Container Carrier**  
Semi Trailer



# 30 ft Tank Container Carrier

## Semi Trailer



Light and strong chassis made of high strength steel for more payload



Air and electrical circuit protection according to ADR




Multiple hose storage



Stainless steel drainage, pool, aluminium walkway and valve for chemicals to avoid pollution





**40 ft Container Carrier**  
Semi Trailer

**Maquitrucks Atlantic M&S S.L**

Avd. De Madrid nº40 , Entresuelo , Oficina 21 – 36204 –Vigo – Pontevedra - Spain

[www.maquitrucks.com](http://www.maquitrucks.com) – [comercial@maquitrucks.com](mailto:comercial@maquitrucks.com)

Telefono oficina : +34 986 150 995 – whatsapp: +34 650 560 400



# 40 ft Container Carrier Semi Trailer



Handle Type container twistlock



Generator house (optional)



Toolbox for secure valves



LED lamps

*Optionel:*  
- Generator for Reefer container  
- Steering axle



**Gooseneck Extendible Container Carrier**  
Semi Trailer



**Maquitrucks Atlantic M&S S.L**

Avd. De Madrid nº40 , Entresuelo , Oficina 21 – 36204 –Vigo – Pontevedra - Spain

[www.maquitrucks.com](http://www.maquitrucks.com) – [comercial@maquitrucks.com](mailto:comercial@maquitrucks.com)

Telefono oficina : +34 986 150 995 – whatsapp: +34 650 560 400

# 40 ft Flat Bed Container Carrier

Semi Trailer



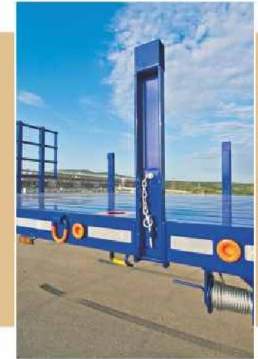
Winches and washers for lashing



Front pillar



Wood Box



Strong Pillars



Steering axle (optional)



LED lamps

*Optional*  
- Generator for Reefer containers



**30 ft Tank Container Carrier**  
Semi Container



**Maquitrucks Atlantic M&S S.L**  
Avd. De Madrid nº40 , Entresuelo , Oficina 21 – 36204 –Vigo – Pontevedra - Spain  
[www.maquitrucks.com](http://www.maquitrucks.com) – [comercial@maquitrucks.com](mailto:comercial@maquitrucks.com)  
Telefono oficina : +34 986 150 995 – whatsapp: +34 650 560 400

# Coil Carrier

## Semi-trailer



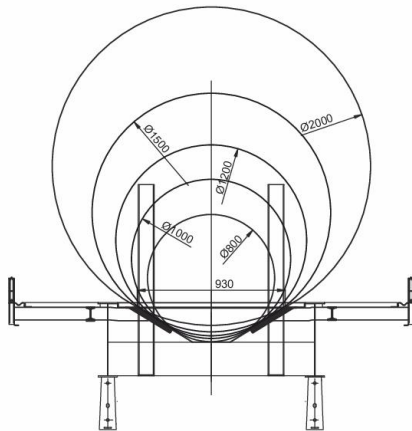
Designed to carry different diameter coils.



Light chassis produced from quenched steel for more payload.



Demountable pillars, dropsides and coil equipment cover.



- Optional
- Aluminum or steel dropsides.
  - Vehicles floor from film plated plywood or checkered steel plate.



**Coil Carrier**  
Semi Trailer



**Maquitrucks Atlantic M&S S.L**

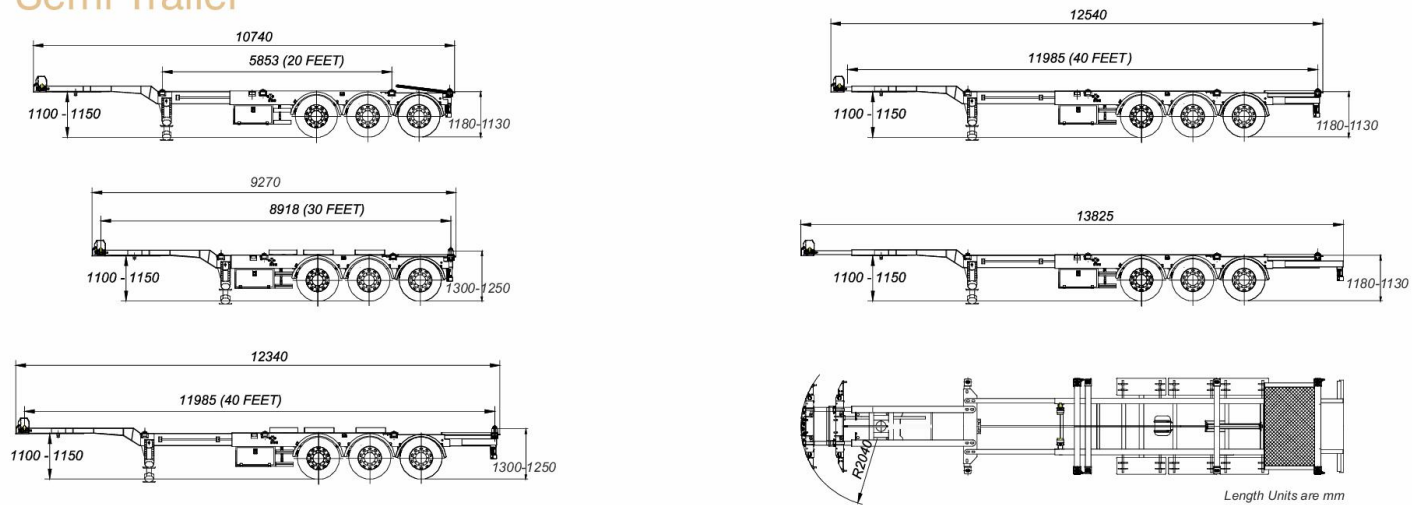
Avd. De Madrid nº40 , Entresuelo , Oficina 21 – 36204 –Vigo – Pontevedra - Spain

[www.maquitrucks.com](http://www.maquitrucks.com) – [comercial@maquitrucks.com](mailto:comercial@maquitrucks.com)

Telefono oficina : +34 986 150 995 – whatsapp: +34 650 560 400

# Gooseneck Extendible Container Carrier

## Semi Trailer



Length Units are mm  
Tolerance in tare weight is %3

### TECHNICAL SPECIFICATIONS

Tare Weight : 5360kg/5880 (45 ft ve jeneratör ekipmanlı)  
 Technical Max. Mass : 39000kg  
 Total Length : Açık 12540 / Kapalı 9270 (45 ft 13825)  
 Applicable Container Sizes : 1\*20 feet, 2\*20 feet, 1\*30 feet, 1\*40 feet, 1\*40 feet hc, (1\*45 feet opsiyonel)  
 Axle Spread : 1310-1310



Different axle brand choice

Lift Axle

Steel or Aluminium Wheel options

### Maquitrucks Atlantic M&S S.L

Avd. De Madrid nº40 , Entresuelo , Oficina 21 – 36204 –Vigo – Pontevedra - Spain

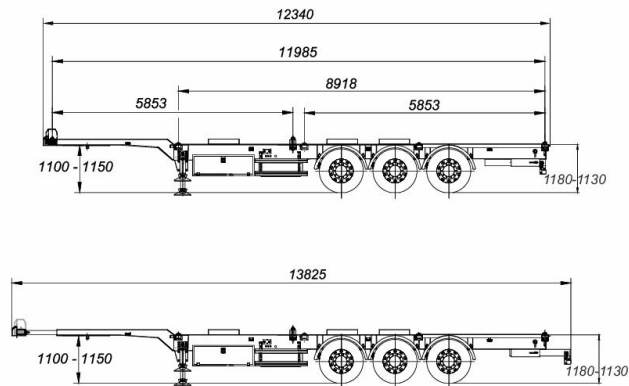
[www.maquitrucks.com](http://www.maquitrucks.com) – [comercial@maquitrucks.com](mailto:comercial@maquitrucks.com)

Telefono oficina : +34 986 150 995 – whatsapp: +34 650 560 400



# 40/45 ft Gooseneck Container Carrier

## Semi Trailer



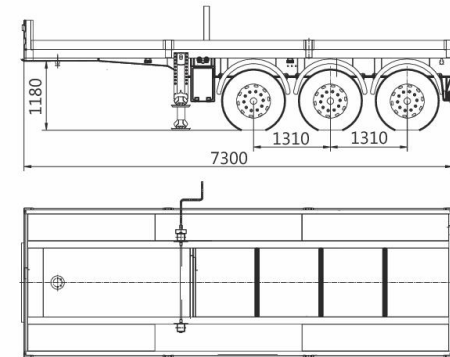
Length Units are mm  
Tolerance in tare weight is %3

### TECHNICAL SPECIFICATIONS

Tare Weight : 4900 kg / 5060 kg (45 ft ekipmanlı)  
 Technical Max. Mass : 39000 kg  
 Total Length : 12540 (45 ft 13825)  
 Applicable Container Sizes : 1\*20 feet, 2\*20 feet, 1\*30 feet, 1\*40 feet, 1\*40 feet hc, (1\*45 feet opsiyonel)  
 Axle Spread : 1310-1310

# Coil Carrier

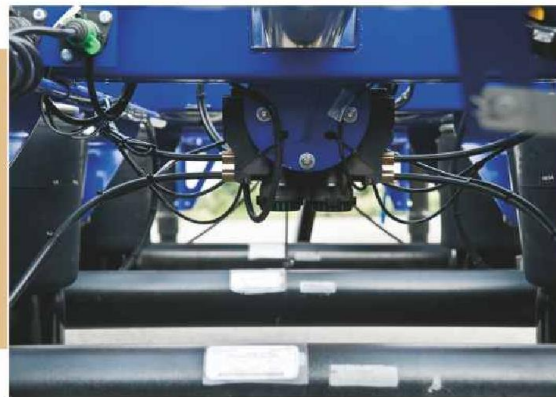
## Semi Trailer



Length Units are mm  
Tolerance in tare weight is %3

### TECHNICAL SPECIFICATIONS

Tare Weight : 4220 kg  
 Technical Max. Mass : 39000 kg  
 Total Length : 7300  
 Applicable Container Sizes : 1x20 feet  
 Axle Spread : 1310-1310

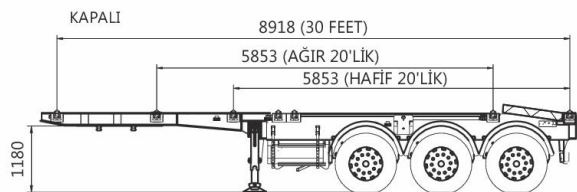
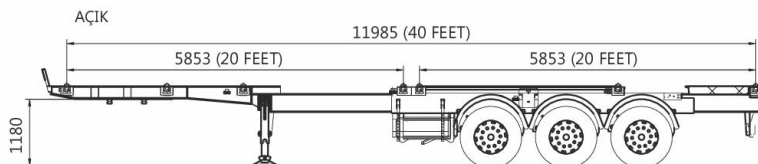


Lighting system according to ECE R48

Alternative brake circuits equipped with EBS according to R13

# Straight Extendible Container Carrier

## Semi Trailer



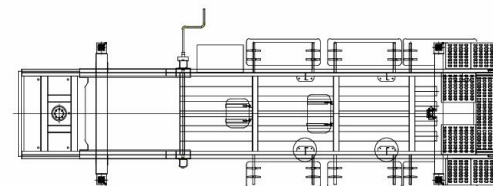
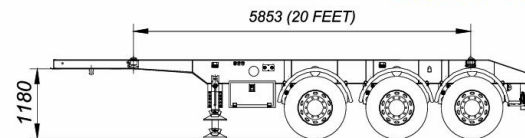
Length Units are mm  
Tolerance in tare weight is %3

### TECHNICAL SPECIFICATIONS

Tare Weight : 5480 kg / 4830 kg (hafifletilmiş şasi)  
 Technical Max. Mass : 39000 kg  
 Total Length : Açık 12350 / Kapalı 9290  
 Applicable Container Sizes : 1x20 feet, 2x20 feet, 1x40 feet, 1x30 feet  
 Axle Spread : 1310-1310

# 20 ft Tank Container Carrier

## Semi Trailer



Length Units are mm  
Tolerance in tare weight is %3

### TECHNICAL SPECIFICATIONS

Tare Weight : 3300 kg  
 Technical Max. Mass : 39000 kg  
 Total Length : 8350  
 Applicable Container Sizes : 1x20 feet  
 Axle Spread : 1410-1310



Spare Wheel



Aluminium and steel rear bumper

