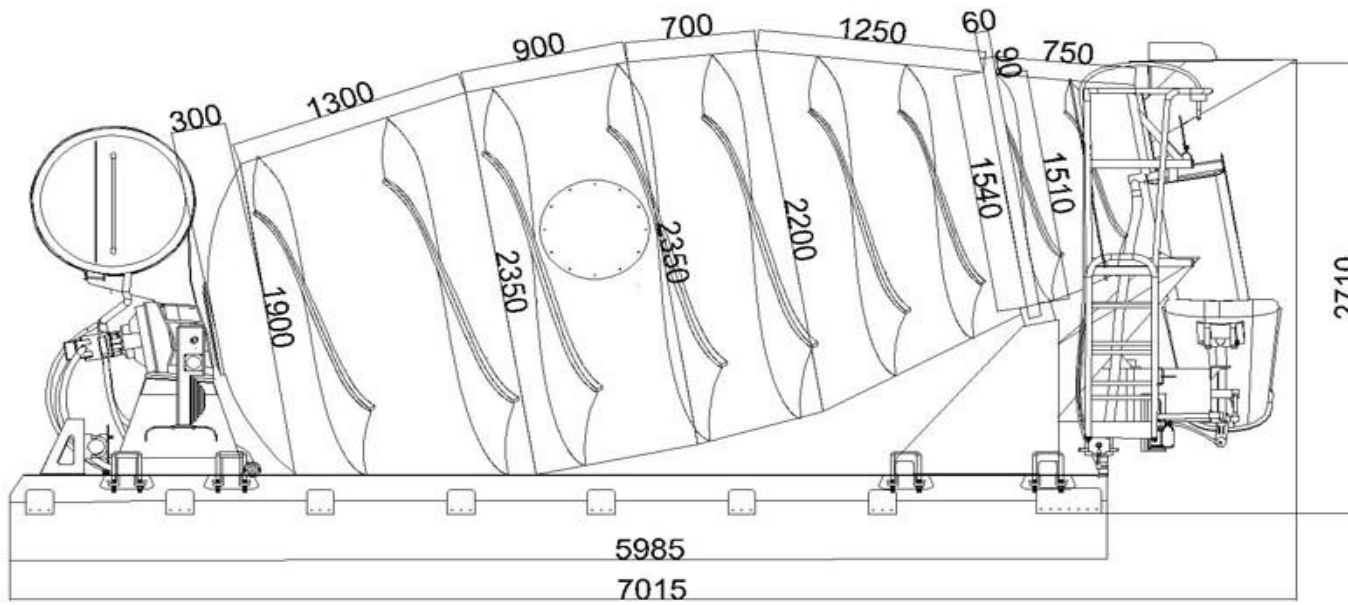


8m<sup>3</sup> TRANSMİKSER



8 m <sup>3</sup> Transmiksör		8 m <sup>3</sup> Truck Mixer		T m - 8
Nominal Kapasite	m <sup>3</sup>	Nominal Capacity	m <sup>3</sup>	8
Geometrik Hacim	m <sup>3</sup>	Geometrical Volume	m <sup>3</sup>	14,1
Şase Kalınlığı	m m	Chassis Volume	m m	80 * 160 * 10mm Profil
Transmiksör Kazanı		Mixing Drum		4 mm or 5 mm St 52 Sheet
Karıştırıcı Helezonlar		Mixing Helis		4 mm 5 mm St 52 Sheet
Oluklar		Conduits		3 mm St 52 Sheet
Su Hacmi	m <sup>3</sup>	Water Volume	m <sup>3</sup>	9,5
Doluluk Oranı	%	Fullness Rate	%	62
Kazan Dönüş Hızı	dev/dk	Drum Revolving Speed min/rev	dev/dk	1/15
Gerekli Güç	kW/HP	Needed Power	kW/HP	68/94
Su Pompası	lt/dk	Water Pump	lt/dk	413
Su Tankı Kapasitesi	lt/dk	Water Tank Capacity	lt/dk	650lt or 1000lt
Şase Uzunluğu	m m	Chassis Length	m m	5500
Yükseklik (h)	m m	Height (H)	m m	2700
Ağırlık Merkezi	m m	Center Of Gravity	m m	2350
Kazan Çapı (max)	m m	Drum Diameter (max)	m m	2200
Ağırlık	kg	Weight	kg	4250

# 10m<sup>3</sup> TRANSMİKSER



10 m <sup>3</sup> Transmikser		10 m <sup>3</sup> TruckMixer		T m - 10
Nominal Kapasite	m <sup>3</sup>	Nominal Capacity	m <sup>3</sup>	10
Geometrik Hacim	m <sup>3</sup>	Geometrical Volume	m <sup>3</sup>	16,9
Şase Kalınlığı	m m	Chassis Volume	m m	80 * 160 * 10 mm Profil
Transmikser Kazanı		Mixing Drum		4 mm or 5 mm St 52 Sheet
Karıştırıcı Helezonlar		Mixing Helis		4 mm 5 mm St 52 Sheet
Oluklar		Conduits		3 mm St 52 Sheet
Su Hacmi	m <sup>3</sup>	Water Volume	m <sup>3</sup>	10,6
Doluluk Oranı	%	Fullness Rate	%	65
Kazan Dönüş Hızı	dev/dk	Drum Revolving Speed min/rev	dev/dk	1/15
Gerekli Güç	kW/Hp	Needed Power	kW/Hp	82/112
Su Pompası	lt/dk	Water Pump	lt/dk	413
Su Tankı Kapasitesi	lt/dk	Water Tank Capacity	lt/dk	650lt or 1000lt
Şase Uzunluğu	m m	Chassis Length	m m	6000
Yükseklik (h)	m m	Height (H)	m m	2850
Ağırlık Merkezi	m m	Center Of Gravity	m m	2710
Kazan Çapı(max)	m m	Drum Diameter(max)	m m	2350
Ağırlık	kg	Weight	kg	4600

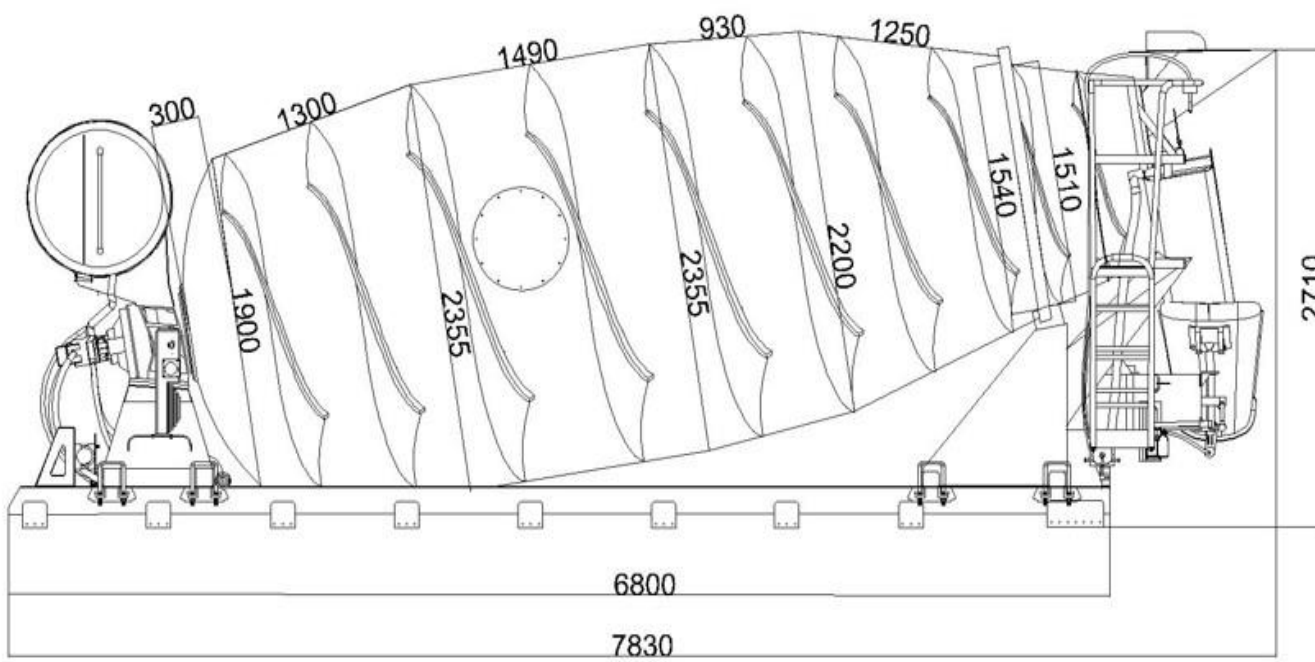
**Maquitricks Atlantic M&S S.L**

**Avd. De Madrid n°40 , Entresuelo , Oficina 21 – 36204 –Vigo – Pontevedra - Spain**

**[www.maquitricks.com](http://www.maquitricks.com) – [comercial@maquitricks.com](mailto:comercial@maquitricks.com)**

**Telefono oficina : +34 986 150 995 – whatsapp: +34 650 560 400**

# 12m<sup>3</sup> TRANSMİKSER

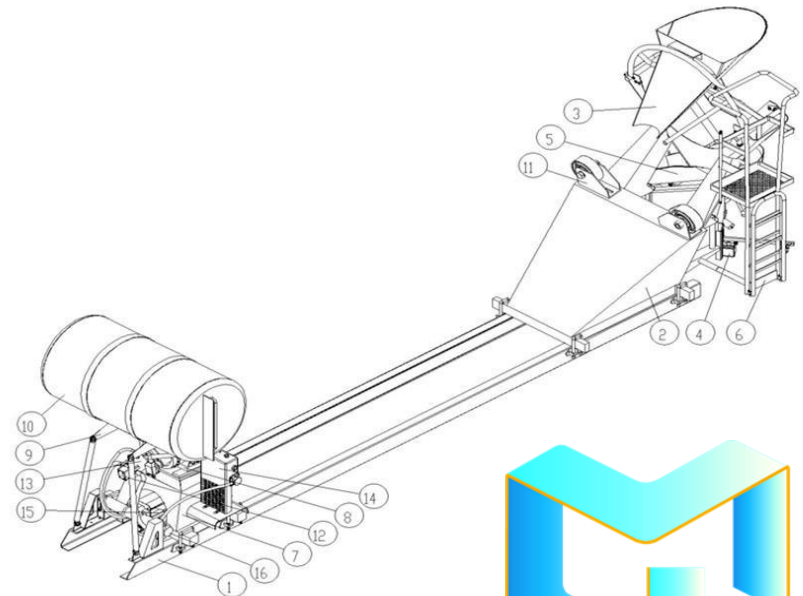


12 m <sup>3</sup> Transmikser		12 m <sup>3</sup> Truck Mixer		T m - 12
Nominal Kapasite	m <sup>3</sup>	Nominal Capacity	m <sup>3</sup>	12
Geometrik Hacim	m <sup>3</sup>	Geometrical Volume	m <sup>3</sup>	20,85
Şase Kalınlığı	m m	Chassis Volume	m m	80 * 160 * 10 mm Profil
Transmikser Kazanı		Mixing Drum		4 mm or 5 mm St 52 Sheet
Karıştırıcı Helezonlar		Mixing Helis		4 mm 5 mm St 52 Sheet
Oluklar		Conduits		3 mm St 52 Sheet
Su Hacmi	m <sup>3</sup>	Water Volume	m <sup>3</sup>	12,3
Doluluk Oranı	%	Fullness Rate	%	67
Kazan Dönüş Hızı	dev/dk	Drum Revolving Speed min/rev	dev/dk	1/15
Gerekli Güç	kW/Hp	Needed Power	kW/Hp	114/200
Su Pompası	lt/dk	Water Pump	lt/dk	413
Su Tankı Kapasitesi	lt/dk	Water Tank Capacity	lt/dk	650lt or 1000lt
Şase Uzunluğu	m m	Chassis Length	m m	6800
Yükseklik (h)	m m	Height (H)	m m	2850
Ağırlık Merkezi	m m	Center Of Gravity	m m	3115
Kazan Çapı (max)	m m	Drum Diameter (max)	m m	2350
Ağırlık	kg	Weight	kg	5400



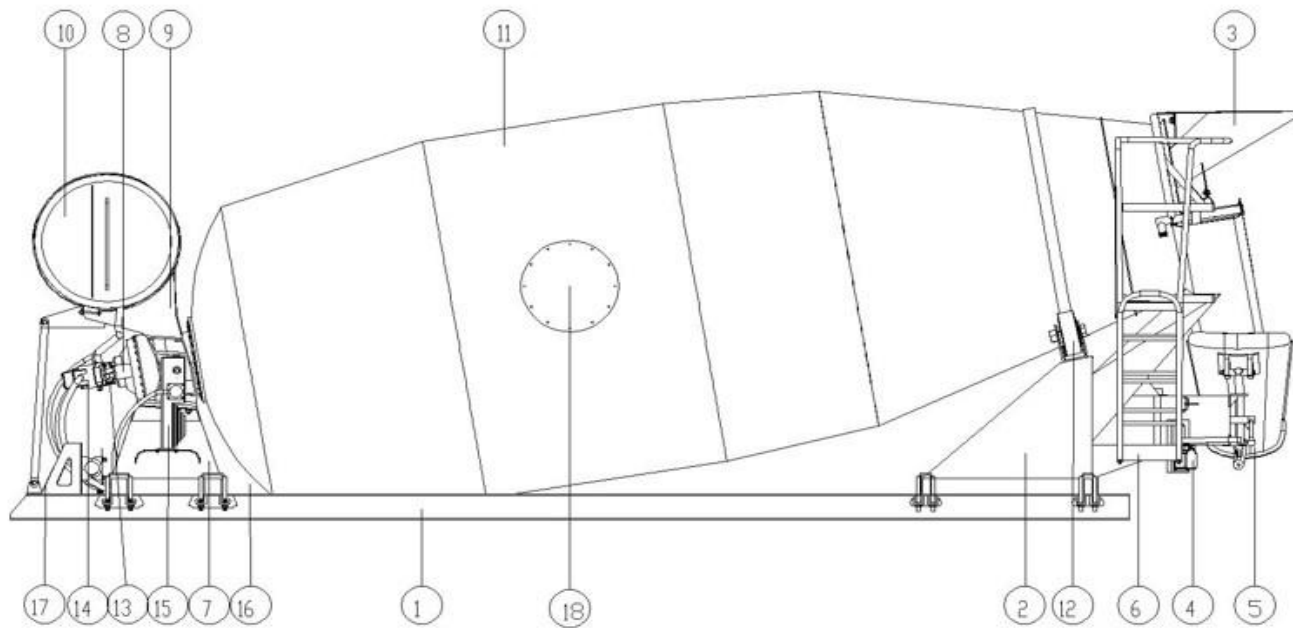


- |                           |                      |
|---------------------------|----------------------|
| 1 Mixer Auxiliary Chassis | 9-Water Tank Console |
| 2 Rear Console            | 10-Water Tank        |
| 3 Filling Trough          | 11-Carrier Roller    |
| 4 Discharge Chute         | 12-Water Pump        |
| Lifting Jack              | 13-Hydraulic Engine  |
| 5 Discharge Chute         | 14-Oil Cooler        |
| 6-Ladder                  | 15-Hydraulic Pump    |
| 7 Front Console           | 16-Hydraulic Pump    |
| 8 Gearbox                 | Console              |



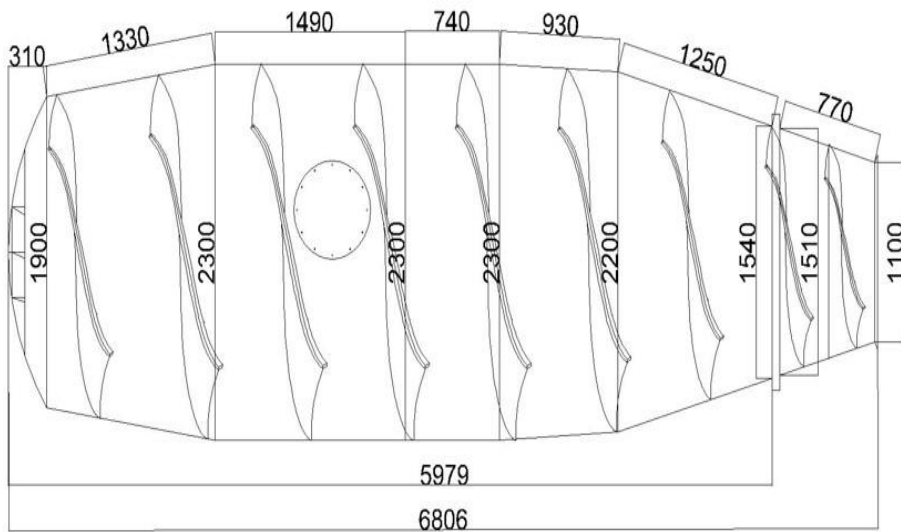
**Maquitrucks Atlantic M&S S.L**  
 Avd. De Madrid n°40 , Entresuelo , Oficina 21 – 36204 –Vigo – Pontevedra - Spain  
[www.maquitrucks.com](http://www.maquitrucks.com) – [comercial@maquitrucks.com](mailto:comercial@maquitrucks.com)  
 Telefono oficina : +34 986 150 995 – whatsapp: +34 650 560 400



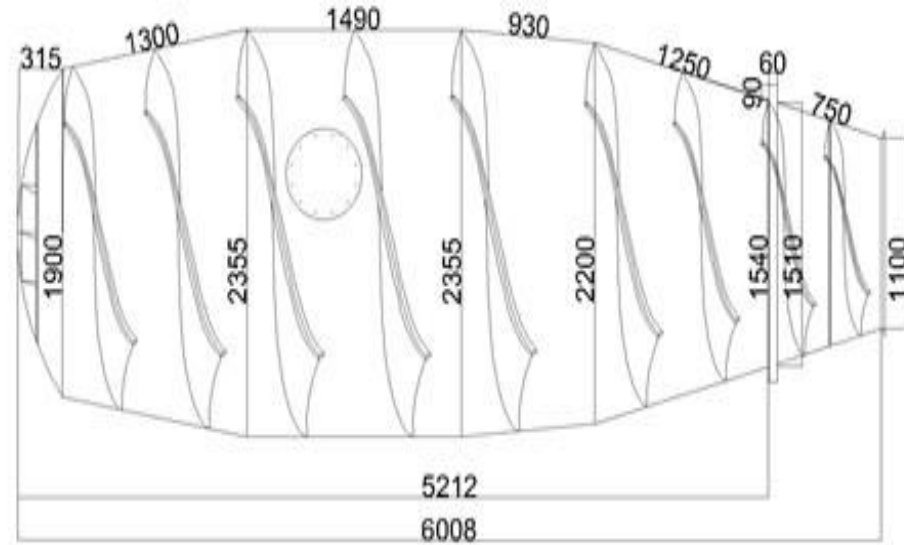


- |                            |                             |
|----------------------------|-----------------------------|
| 1- Mixer Auxiliary Chassis | 10-Water Tank               |
| 2-Rear Console             | 11-Boiler                   |
| 3 Filling Trough           | 12-Carrier Roller           |
| 4Discharge Trough Jack     | 13-Water Pump               |
| 5-Discharge Trough         | 14 Hydraulic Engine         |
| 6 Ladder                   | 15 Oil Cooler               |
| 7Front Console             | 16 Hydraulic Pump           |
| 8-Gearbox                  | 17Hydraulic Pump Console    |
| 9-Water Tank Console       | 18-Boiler Maintenance Cover |

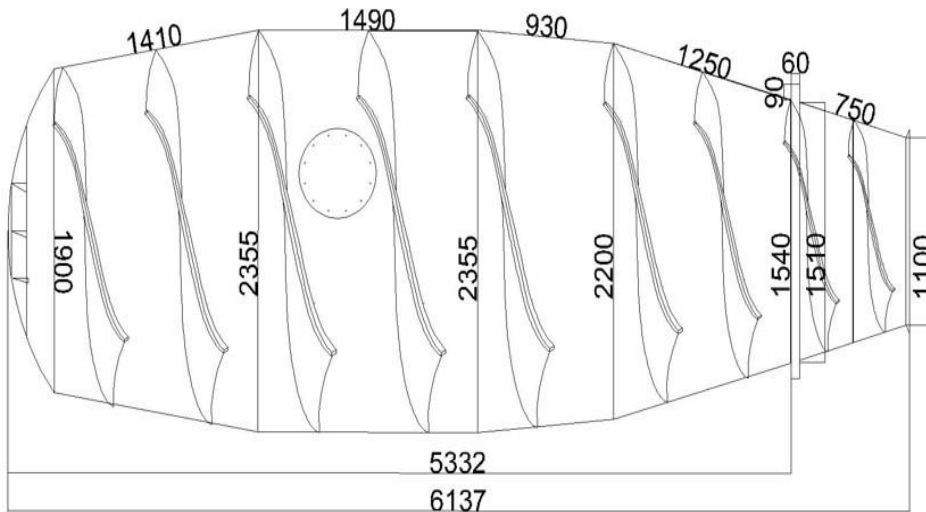




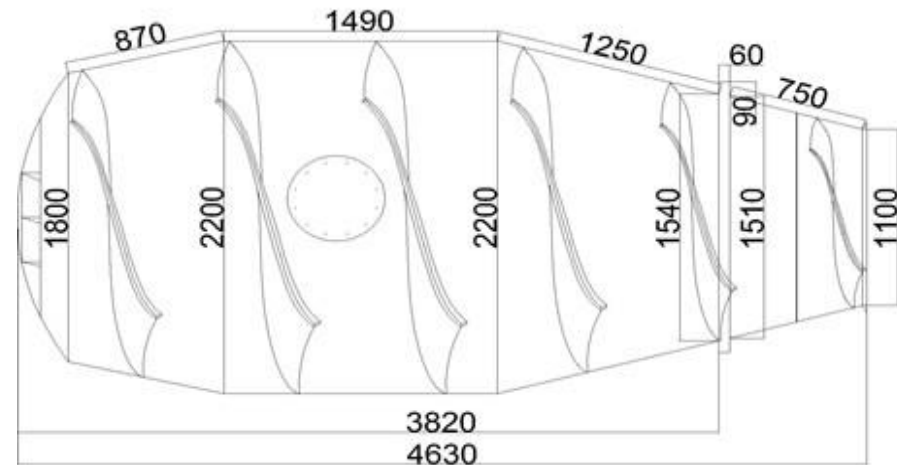
**14m<sup>3</sup> Boiler**



**12m<sup>3</sup> Boiler**

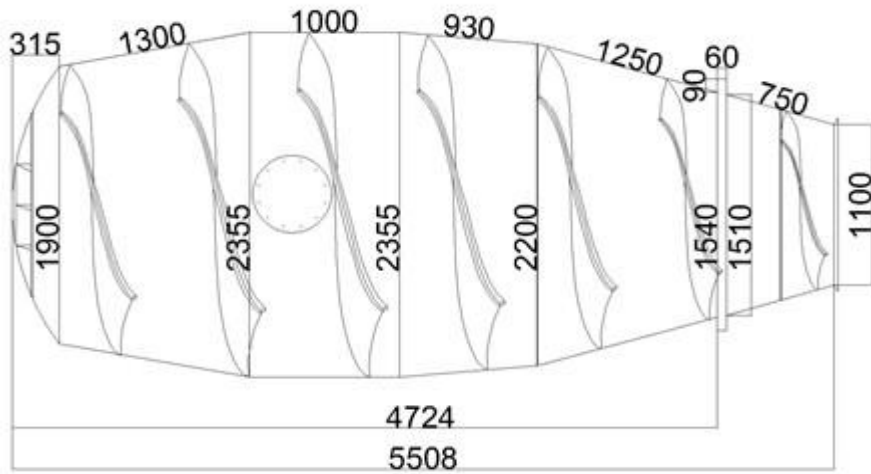


**12m<sup>3</sup> XL Boiler**

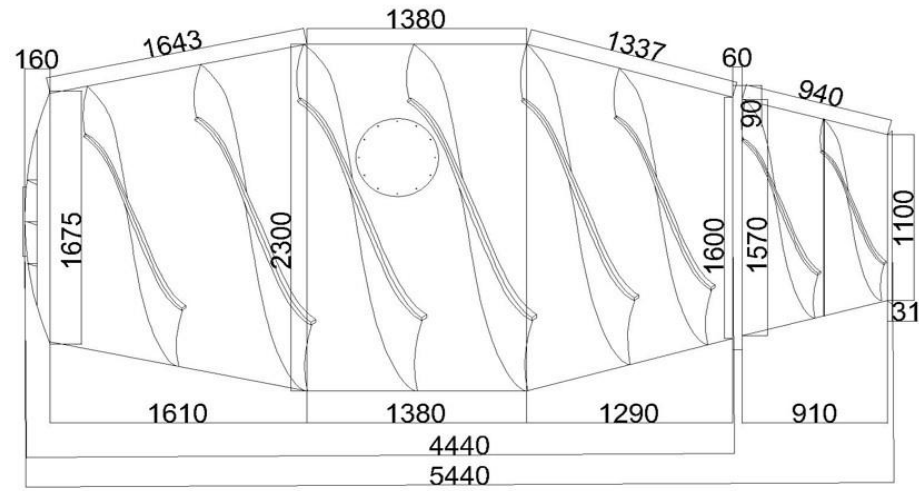


**8m<sup>3</sup> Boiler**

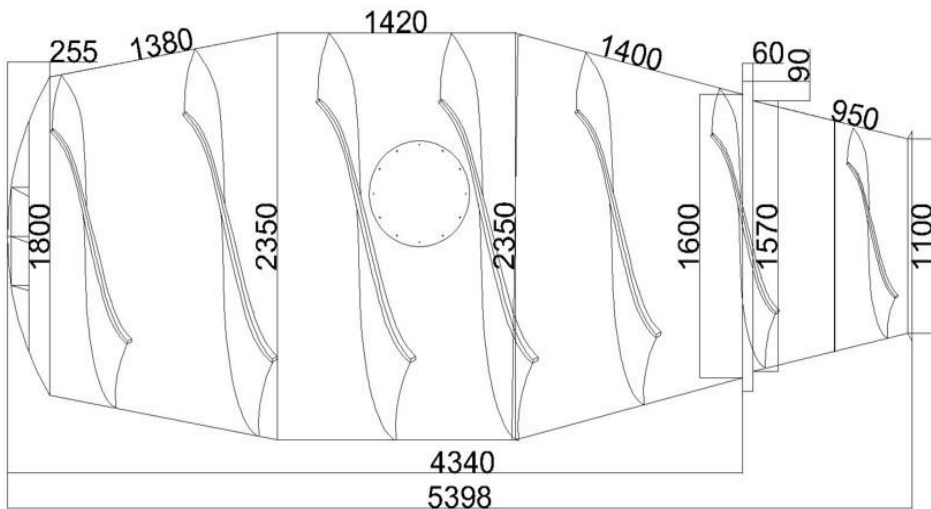




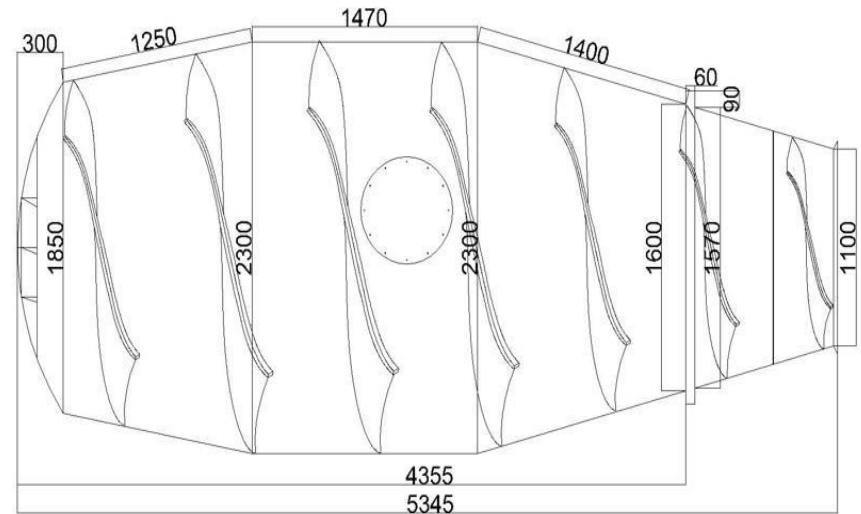
**Type1 10m<sup>3</sup> Boiler**



**Type2 10m<sup>3</sup> Boiler**



**Type3 10m<sup>3</sup> Boiler**



**Type4 10m<sup>3</sup> Boiler**



(Front Console)



(Water Tank Console)



(Water Tank)



(Water Tank Belts)





Rear Console

V Groove

Ladder

Discharge Trough

**Maquitrucks Atlantic M&S S.L**  
Avd. De Madrid n°40 , Entresuelo , Oficina 21 – 36204 –Vigo – Pontevedra - Spain  
[www.maquitrucks.com](http://www.maquitrucks.com) – [comercial@maquitrucks.com](mailto:comercial@maquitrucks.com)  
Telefono oficina : +34 986 150 995 – whatsapp: +34 650 560 400





Filling Chute



Safety Saddle



Boiler Inner Helix



Additional Gutter Holder



Filling Chute



Reel Console



Additional Trough Chassis



Chassis Flags

**Maquitrucks Atlantic M&S S.L**  
Avd. De Madrid n°40 , Entresuelo , Oficina 21 – 36204 –Vigo – Pontevedra - Spain  
[www.maquitrucks.com](http://www.maquitrucks.com) – [comercial@maquitrucks.com](mailto:comercial@maquitrucks.com)  
Telefono oficina : +34 986 150 995 – whatsapp: +34 650 560 400







Hand Pump Connection Plate



Pump Console Feet



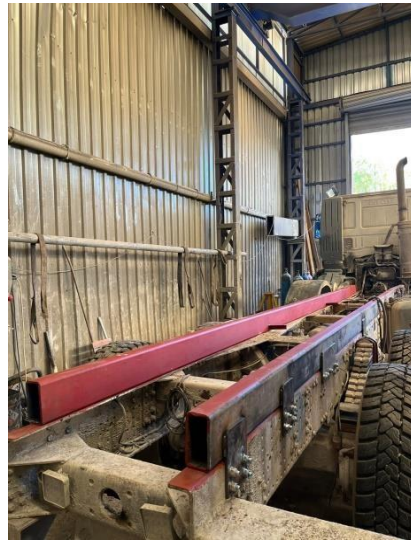
V Groove Connection Sheets



Universal Stopper



Universal Bumper



Truck Mixer Chassis



Hand Pump Connection Plate



Universal Shaft Guard



Discharge Groove Wear Plate Filling Groove Wear Plate



Filling Trough Bottom Fitting



Filling Trough Upper Fitting



Ecological Cover



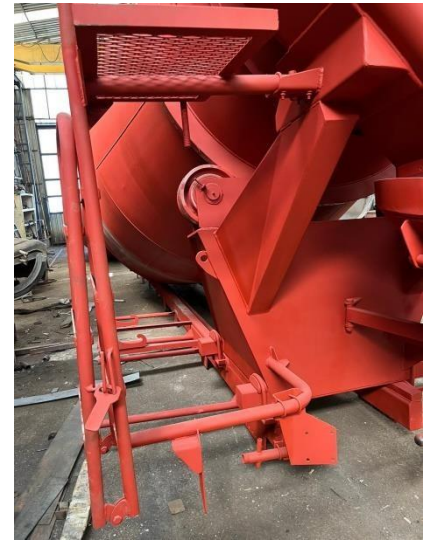
Rotating Groove Lock



Discharge Chute Connection Group



Ladder Connection Pipe Group







Water Pump



S Hose



Discharge Chute  
Lifting Jack



Joystick And Spiral



Washer Hose



Barrier Equipment



Smash Tires



Plumbing Parts

**Maquitrucks Atlantic M&S S.L**  
Avd. De Madrid n°40 , Entresuelo , Oficina 21 – 36204 –Vigo – Pontevedra - Spain  
[www.maquitrucks.com](http://www.maquitrucks.com) – [comercial@maquitrucks.com](mailto:comercial@maquitrucks.com)  
Telefono oficina : +34 986 150 995 – whatsapp: +34 650 560 400







Ecological Cover Equipment



Reel plastic



Additional Gutter Plastics



Additional And Folding Chute



Additional Groove Spring



Folding Gutter Holder



Ladder Enclosure



U Connection equipment

**Maquitrucks Atlantic M&S S.L**  
Avd. De Madrid n°40 , Entresuelo , Oficina 21 – 36204 –Vigo – Pontevedra - Spain  
[www.maquitrucks.com](http://www.maquitrucks.com) – [comercial@maquitrucks.com](mailto:comercial@maquitrucks.com)  
Telefono oficina : +34 986 150 995 – whatsapp: +34 650 560 400





# Gearboxes



## ZTS REDUKTOR

## SUAER DANFOSS

## 61.2 TMG

### TEKNİK ÖZELLİKLER

Max Çıkış Torku	:60.000Nm
Tahvil Oranı(iN)	:1/100
Max Giriş Hızı	:2500Rpm
Ağırlık	:346kg
Yağ Miktarı	:15lt
Yağ Tipi	:SAE 85W90/EP4veyaEp5
Max Kaçıklık	:12°
Mikser Kapasitesi	:9-10m <sup>3</sup>

### TEKNİK ÖZELLİKLER

Max Çıkış Torku	:61.000Nm
Tahvil Oranı(iN)	:1/111.5
Max Giriş Hızı	:2500Rpm
Ağırlık	:325kg
Yağ Miktarı	16lt
Yağ Tipi	:SAE 85W90/EP4veyaEp5
Max Kaçıklık	:11-15°
Mikser Kapasitesi	:8-10m <sup>3</sup>

## PM 60



## 71.2 TMG

### TEKNİK ÖZELLİKLER

Max Çıkış Torku	:82.000Nm
Tahvil Oranı(iN)	:1/130
Max Giriş Hızı	:2500Rpm
Ağırlık	:350kg
Yağ Miktarı	:12lt
Yağ Tipi	:SAE 85W90/EP4veyaEp5
Max Kaçıklık	:11-12°
Mikser Kapasitesi	:10-12-14m <sup>3</sup>

### TEKNİK ÖZELLİKLER

Max Çıkış Torku	:71.000Nm
Tahvil Oranı(iN)	:1/131.3
Max Giriş Hızı	:2500Rpm
Ağırlık	:333kg
Yağ Miktarı	16lt
Yağ Tipi	:SAE 85W90/EP4veyaEp5
Max Kaçıklık	:11-15°
Mikser Kapasitesi	:10-12m <sup>3</sup>

## PM 90



Maquitrucks Atlantic M&S S.L

Avd. De Madrid n°40 , Entresuelo , Oficina 21 – 36204 –Vigo – Pontevedra - Spain

[www.maquitrucks.com](http://www.maquitrucks.com) – [comercial@maquitrucks.com](mailto:comercial@maquitrucks.com)

Telefono oficina : +34 986 150 995 – whatsapp: +34 650 560 400

# Gearboxes

## PMP PROMEC

### PMP 2.8 SP



#### TEKNİK ÖZELLİKLER

Max Çıkış Torku	:70.000Nm
Tahvil Oranı(iN)	:1/121.6 veya 1/129.1
Max Giriş Hızı	:2500Rpm
Ağırlık	:330kg
Yağ Miktarı	:15lt
Yağ Tipi	:SAE 85W90/EP4veyaEp5
Max Kaçıklık	:+/-6°
Mikser Kapasitesi	:10-12m <sup>3</sup>

### PMP 8 SP



#### TEKNİK ÖZELLİKLER

Max Çıkış Torku	:80.000Nm
Tahvil Oranı(iN)	:1/139.6 veya 1-149.4
Max Giriş Hızı	:2500Rpm
Ağırlık	:367kg
Yağ Miktarı	:17lt
Yağ Tipi	:SAE 85W90/EP4veyaEp5
Max Kaçıklık	:+/-6°
Mikser Kapasitesi	:10-16m <sup>3</sup>

## L577 TRANSMITAL



#### TEKNİK ÖZELLİKLER

Max Çıkış Torku	:60.000Nm
Tahvil Oranı(iN)	:1/131
Max Giriş Hızı	:3000Rpm
Ağırlık	:290kg
Yağ Miktarı	8.5lt
Yağ Tipi	:SAE 85W90/EP4veyaEp5
Max Kaçıklık	:+/-6°
Mikser Kapasitesi	:8-10m <sup>3</sup>

## L577 TRANSMITAL



#### TEKNİK ÖZELLİKLER

Max Çıkış Torku	:75.000Nm
Tahvil Oranı(iN)	:1/130 veya 1/147
Max Giriş Hızı	:3000Rpm
Ağırlık	:320kg
Yağ Miktarı	10lt
Yağ Tipi	:SAE 85W90/EP4veyaEp5
Max Kaçıklık	:+/-6°
Mikser Kapasitesi	:10-12m <sup>3</sup>

# Hydraulic Engine Group

## SAUER DANFOSS



## PMP



## EATON



Frame Size				
Maximum displacement per revolution of the motor	Dimension n cm <sup>3</sup>	20 33,3	22 69,8	23 89,0
Max pressure	Mpa	35		
Normal pressure	Mpa	21		
Max pressure of control	Mpa	0,8 - 2,0		
Max pressure in case	Mpa	0,25 continuos		0,5
Max speed+	min-1	3590	2810	2590

Model	Maximum Displacement cm <sup>3</sup> /r(in <sup>3</sup> /rev)	Basınç Speed rated @18	Basınç Rated Pressure bar(psi)	Basınç Basic Pump Weightkg (lbs)
33	54,4 (3,32)	4510	415(6000)	62,6 (138)
39	63,3 (3,89)	4160	415(6000)	62,6 (138)
46	75,4 (4,60)	4160	415(6000)	62,6 (138)
54	89,1 (5,44)	3720	415(6000)	85,3 (188)
64	105,5 (6,44)	3720	415(6000)	85,3 (188)
76	124,8 (7,62)	2775	415(6000)	101,7(226)

Min speed	min-1	50		
Nominal speed	min-1	1500		
Kinematic viscosity range of working fluid -starting -operating optimum	mm <sup>2</sup> s <sup>3</sup>	1000 12-600 25-35		
Purity of working fluid	um	10		
Direction of shaft rotation		clockwise or counter clockwise		
Max swash angle	plate	±18°		

Model	Maximum Displacement cm <sup>3</sup> /r(in <sup>3</sup> /rev)	Basınç Speed rated @18	Basınç Rated Pressure bar(psi)	Basınç Basic Pump Weightkg (lbs)
33	54,4 (3,32)	4510	415(6000)	62,6 (138)
39	63,3 (3,89)	4160	415(6000)	62,6 (138)
46	75,4 (4,60)	4160	415(6000)	62,6 (138)
54	89,1 (5,44)	3720	415(6000)	85,3 (188)
64	105,5 (6,44)	3720	415(6000)	85,3 (188)
76	124,8 (7,62)	2775	415(6000)	101,7(226)



# Hydraulic Pump Group



PMP



Rated Size	Dimension	20	Frame Size 22	23
Maximum displacement per revolution of the variable displacement pump	cm <sup>3</sup>	33,3	69,8	89
Max. Flow	dm <sup>3</sup> /min-1	119,54	196,14	230,51
Displacement per revolution of the charge pump	cm <sup>3</sup>	12,3	18,03	18,03
Max.pressure	Mpa		35	
Nominal pressure	Mpa		21	
Max. Pressure of control	Mpa		3,5	
Charge pressure	Mpa		0,8 - 2,0	
Max. Pressure in case	Mpa		0,25 continuous 0,5 intermittent	
Maximum speed+	min-1	3590	2810	2590
Minimum speed	min-1		500	
Nominal speed	min-1		1500	
Purity of working fluid	um		10	
Direction of shaft rotation			10	
Max. Swash plate angle			clockwise or counter clockwise	
Weight	kg	45	63	78

EATON

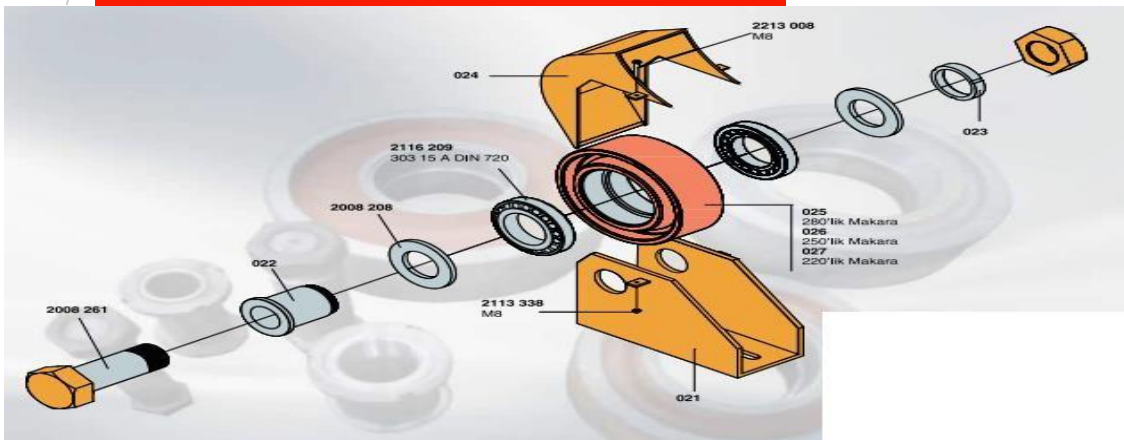


Model	Displacement cm <sup>3</sup> /(r/rev)	Başıçıkışım (lpm/gpm)	Başıçıkışım Speed rpm max/min	Başıçıkışım Rate Pressure Bar(ksi)	Başıçıkışım Peak Pressure Bar(ksi)	Başıçıkışım Charge Pressure Bar(ksi)	Başıçıkışım Torque nm (lbf-in)
33 545(3,32)@155	231 (62)	4510/50	24 (3500)	415(6000)	11(160)	334 (2959)	
544(3,32)@39 155	231 (62)	4510/51	24 (3500)	415(6000)	11(160)	334 (2959)	
46 753(4,6) @18	332 (85)	4510/52	24 (3500)	415(6000)	11(160)	556 (4916)	
54 881(5,44)@18	337 (89)	3720/50	24 (3500)	415(6000)	11(160)	556 (4916)	
64 1055(6,44)@18	409 (108)	3720/51	24 (3500)	415(6000)	11(160)	666 (5807)	
76 1248(7,62)@18	371 (98)	3720/52	24 (3500)	415(6000)	11(160)	666 (5807)	



SAUER DANFOSS

Model	Displacement cm <sup>3</sup> /r (in <sup>3</sup> /rev)	Başıçıkışım Flow lpm (gpm)	Başıçıkışım Speed rpm max/min	Başıçıkışım Rate Pressure bar(ksi)	Başıçıkışım Peak Pressure bar(ksi)	Başıçıkışım Charge Pressure bar(ksi)	Başıçıkışım Torque nm (lbf-in)
33 @ 15,5	54,4 (3,32)	231 (62)	4510/50	240 (3500)	415 (6000)	11 (160)	334 (2959)
39 @ 15,6	54,4 (3,32)	231 (61)	4510/50	240 (3500)	415 (6000)	11 (160)	334 (2959)
46 @ 18	15,3 (4,6)	332 (85)	4510/50	240bar (3500)d	415 (6000)	11 (160)	556 (4916)
54 @ 18	89,1 (5,44)	337 (89)	3720/50	240bar (3500)	415bar (6000)	11 (160)	556 (4916)
64 18	105,5 (6,44) @	409 (108)	3720/50	240 (3500)	415 (6000)	11 (160)	656 (5807)
76 @ 18	124,8 (7,62)	371 (98)	3720/50	240 (3500)	415 (6000)	11 bar (160)	781 (6911)



**MAQUITRUCKS**  
ATLANTIC M&S

**Maquitrucks Atlantic M&S S.L**  
Avd. De Madrid n°40 , Entresuelo , Oficina 21 – 36204 –Vigo – Pontevedra - Spain  
[www.maquitrucks.com](http://www.maquitrucks.com) – [comercial@maquitrucks.com](mailto:comercial@maquitrucks.com)  
Telefono oficina : +34 986 150 995 – whatsapp: +34 650 560 400



Concrete Pump ladder



Concrete Pump Mixer Boiler And Grate









