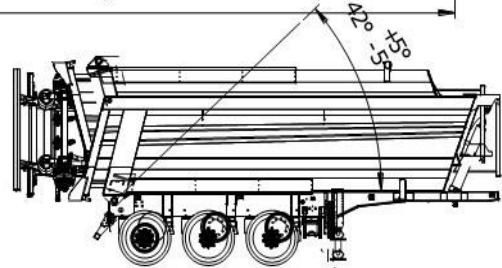
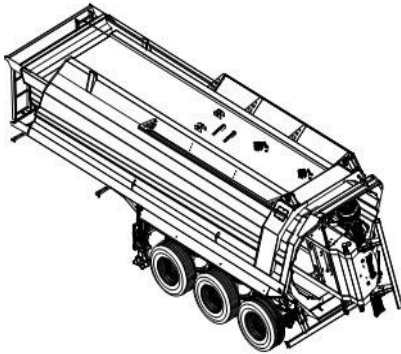
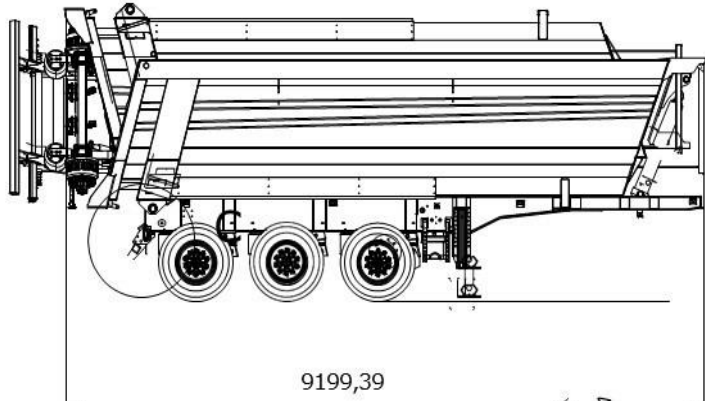
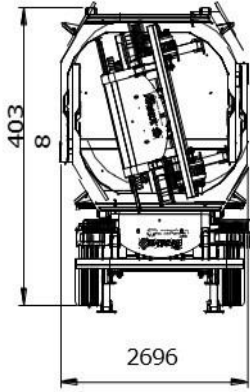




MAQUITRUCKS
ATLANTIC M&S



TARİH		1:100
ÇİZEN	23/01/2021	
KONTROL	23/01/2021	
ONAYLAYAN	23/01/2021	
PARÇANIN ADI	MALZEME	
28 m ³ Tipper		

Semitreiler TIPPER



3 Axle 24m³ Tipper Semi Trailer

- Chassis S 355 (ST52)
- 3 axle Disc SAF Holland Each 9 ton
- 6 pieces 385/65 R22,5 tires Pirelli ST01
- EBS brakes system 2s/2m WABCO
- Landing gear 2 speed JOST
- Electric system 24V ASPOCK
- Lifting fron and 2nd axle with pneumatic
- Hydraulic cylinder
- 2" king pin OMS
- Removable back buffer – 1pcs tool box
- Body side 4mm HARDOX 450
- Body floor 5mm HARDOX 450
- Body front and back 4mm HARDOX 450
- After the high strenght epoxy primer, the final coat will be the GRAY color ACRYLIC paint.

Maquitrucks Atlantic M&S S.L

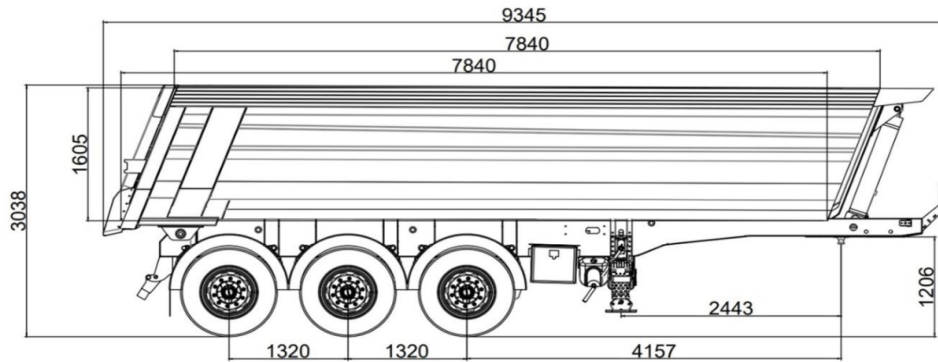
Avd. De Madrid nº40 , Entresuelo , Oficina 21 – 36204 –Vigo – Pontevedra - Spain

www.maquitrucks.com – comercial@maquitrucks.com

Telefono oficina : +34 986 150 995 – whatsapp: +34 650 560 400



26 m³ HALF PIPE TIPPER TECHNICAL SPECIFICATION



Chassis Specification

- **Chassis:** Strenx700MC type steels will be used on producing of chassis.
- **Technical Carrying Capacity:** 39 Ton max. (Uniformly distributed load)
- **Technical Carrying Capacity of King Pin:** 12 Ton max. (Uniformly distributed load)
- **Technical Carrying Capacity of Axles:** 27 Ton max. (Uniformly distributed load)
- **Capacity of Axle Group:** 27 Ton max. (Uniformly distributed load)
- **Loading Capacity:** **32,15 Ton max. (Fluent and uniformly distributed load)**
- **Empty Weight:** 6.850 kg ±%3
- **Axles:** 3x9 Ton **SAF** brand axles with **DISC** brake
- **Axles Lifting:** First axle only
- **Suspension:** Pneumatic
- **Tires and Rims:** Lassa 310T or Pirelli ST25, 385/65/R22,5; 6 pcs
- **King Pin:** 2" **SAF** brand
- **Landing Gears:** Mechanical, **SAF** brand
- **Brake System:** EBS, 2S/2M, Wabco brand
- **Electrical System:** **Asböck** brand module set
- **Cylinder:** **HYVA** brand, FE A169-5-05405-019-K1394 type
- **Foldable buffer with pneumatic**

Tipper Box Specification

- **Floor Sheet Metal:** 5 mm Hardox 450
- **Side Wall Sheet Metal:** 4 mm Hardox 450
- **Front Wall Sheet Metal:** 4 mm Hardox 450
- **Door Sheet Metal:** 4 mm Hardox 450
- **Door:** Mechanical type, one side opening
- **Volume:** 26 m³ (nearly)
- **Shape of Box:** Half pipe type
- **Box Color:** Titanium (Metallic, Fesan Special Color)

Maquitrucks Atlantic M&S S.L

Avd. De Madrid nº40 , Entresuelo , Oficina 21 – 36204 –Vigo – Pontevedra - Spain

www.maquitrucks.com – comercial@maquitrucks.com

Telefono oficina : +34 986 150 995 – whatsapp: +34 650 560 400



Accessories

- **Wheel Stopper:** 1 Unit Plastic
- **Toolbox:** 1 Units Plastic
- **Fire Extinguisher Cabinet:** 1 Unit Plastic
- **Mudguard Type:** 6 Units plastic
- **Water Tank:** 1 Unit Plastic
- **Spare Wheel Carrier:** 1 Unit for 1 wheel

Paint

- **Crete Metal Sanding, Epoxy - Prime Coat, Acrylic Paint**

Notes

- 1- This vehicle is designed for transporting gravel. Smaller stones than a volleyball can be transported. Sharp-edged stones cannot be transported. Wet and sticky sand cannot be transported.
- 2- The maximum load must never be exceeded.
- 3- Pneumatic tipper control system, hydraulic tank, hydraulic oil, hydraulic valves, hydraulic accessories, sheet metal fender on the box, working platform and tarpaulin systems are not included in the price.
- 4- If the dimensions and specifications change, the quotation price also changes.
- 5- Production does not start until the prepayment is completed.
- 6- It is added to the delivery time by the delayed day of the prepayment.
- 7- Prepayments of orders canceled for any reason cannot be recovered by buyer.
- 8- Tipper will move on road with their tires from Konya to the ro-ro port.
- 9- Temporary license plate will be mounting on the tippers for Turkish traffic.
- 10- Documents to be issued by Fesan: Invoice (in English), Packing List, Movement Certificate, EC Vehicle Type-Approval Certificate (COC) for European Countries.
- 11- This offer is valid until one week.



Maquitrucks Atlantic M&S S.L

Avd. De Madrid nº40 , Entresuelo , Oficina 21 – 36204 –Vigo – Pontevedra - Spain

www.maquitrucks.com – comercial@maquitrucks.com

Telefono oficina : +34 986 150 995 – whatsapp: +34 650 560 400

